


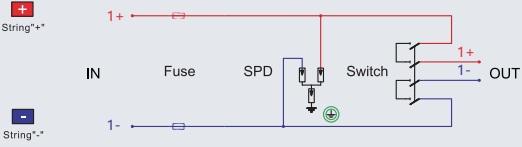


Used for residential, C&I scenario PV plants for combining DC strings, protecting DC components, Like PV modules/DC cable and convenient system maintenance purpose.

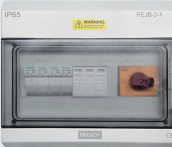
PEJB-1-1



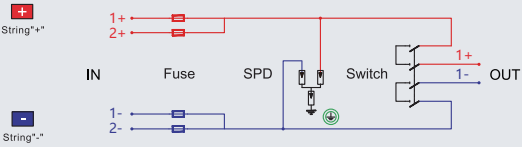
DC 1000V / 32A, 1 in 1 out




PEJB-2-1



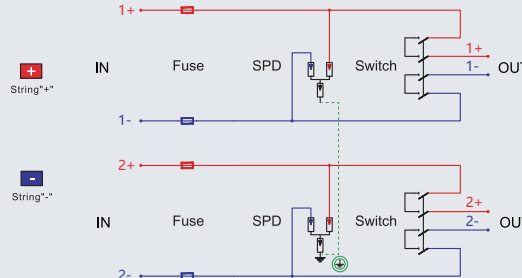
DC 1000V / 32A, 2 in 1 out



PEJB-2-2



DC 1000V / 32A, 2 in 2 out



PEJB-1-1	
General Data	
Input	1 String
Output	1 String
Maximum Voltage	1000V
Maximum Current	32A
Enclosure	
Material Type	Polycarbonate/ABS
Degree of Protection	IP65
Degree of Resistance to Impacts	IK10
Dimension (WxHxD)	219×200×100mm (9P)
DC Switch Disconnecter	
Rated Insulation Voltage(Ui)	1000V
Rated Current(Ie)	32A
Category	DC21B/PV1
Standard Compliance with	IEC60947-3
Certification	UL, TUV, SAA, CE, CB
DC Surge Arrester	
Max Operation Voltage(Ucpv)	1000V
Standard Compliance with	IEC 61643-11/EN61643-31
Maximum Discharge Current	40KA
Type	T2
Certification	TUV, CE, CB
DC Fuse	
Rated Working Voltage	1000V
Rated Working Current	16A
Fuse Link	10×38mm
Certification	CB, CE
Environment	
Operating Temperature	-20 C ~+60 C
Humidity	99%
Altitude	2000M
Installation	Wall Mounting

DISTRIBUTED BY

Raystech (Pty) Ltd | Unit 12, ABC Business Park | 17 Mastiff Rd | Linbro Business Park | Sandton | Johannesburg | 2065 | South Africa
Telephone : +27 10 110 7188 Email : info@raystechglobal.com

PEJB-2-1

General Data	
Input	2 String
Output	1 String
Maximum Voltage	1000V
Max DC Short Circuit Current Per Input	16A
Maximum Current Output	32A
Enclosure	
Material Type	Polycarbonate/ABS
Degree of Protection	IP65
Degree of Resistance to Impacts	IK10
Dimension (WxHxD)	273×230×110mm (12P)
DC Switch Disconnecter	
Rated Insulation Voltage(Ui)	1000V
Rated Current(Ie)	32A
Category	DC21B/PV1
Standard Compliance with	IEC60947-3
Certification	UL, TUV, SAA, CE, CB
DC Surge Arrester	
Max Operation Voltage(Ucpv)	1000V
Standard Compliance with	IEC 61643-11/EN61643-31
Maximum Discharge Current	40KA
Type	T2
Certification	TUV, CE, CB
DC Fuse	
Rated Working Voltage	1000V
Rated Working Current	16A
Fuse Link	10×38mm
Certification	CB, CE
Environment	
Operating Temperature	-20 C ~+60 C
Humidity	99%
Altitude	2000M
Installation	Wall Mounting

PEJB-2-2

General Data	
Input	2 String
Output	2 String
Maximum Voltage	1000V
Max DC Short Circuit Current Per Input	16A
Maximum Current Output	32A
Enclosure	
Material Type	Polycarbonate/ABS
Degree of Protection	IP65
Degree of Resistance to Impacts	IK10
Dimension (WxHxD)	381×230×110mm (18P)
DC Switch Disconnecter	
Rated Insulation Voltage(Ui)	1000V
Rated Current(Ie)	32A
Category	DC21B/PV1
Standard Compliance with	IEC60947-3
Certification	UL, TUV, SAA, CE, CB
DC Surge Arrester	
Max Operation Voltage(Ucpv)	1000V
Standard Compliance with	IEC 61643-11/EN61643-31
Maximum Discharge Current	40KA
Type	T2
Certification	TUV, CE, CB
DC Fuse	
Rated Working Voltage	1000V
Rated Working Current	16A
Fuse Link	10×38mm
Certification	CB, CE
Environment	
Operating Temperature	-20 C ~+60 C
Humidity	99%
Altitude	2000M
Installation	Wall Mounting